

Description	Specifications
IN/Out Connectors	19 pin HDMI female type-A
HDCP	Yes
HDMI Inputs	5
HDMI Display Outputs	2
Optical Toslink Digital Audio Output	1
Single Link Range	480P, 720i/P, 1080i/P
Video Data Rate	6.75 Gbps
Vertical Frequency Scan Rate	50/60 Hz
Dimension	9.27 x 4.15 x 1.19 inch
DC adapter (included)	5VDC, 2.5A



V1.3

Installation Guide

For Questions and support:

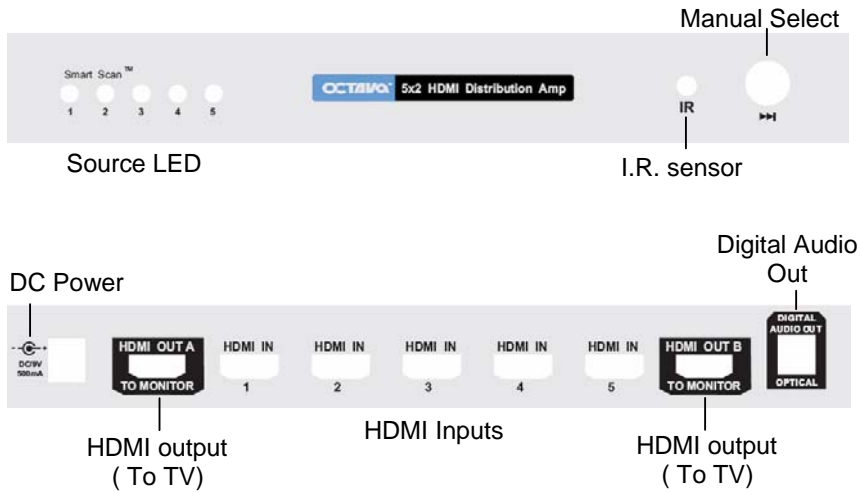
Email: info@octavainc.com

URL: www.octavainc.com

Copyright© 2008 Octava Inc. All rights reserved.
HDMI, the HDMI logo and High-Definition Multimedia Interface are trademarks or registered trademarks of HDMI Licensing LLC
All trademarks are the sole property of their respective companies

Table of contents

- 1. Application Diagram**
- 2. Installation**
- 3. Description**
- 4. Features**
- 5. Smart Scan™**
- 6. Remote Control Guide**



Front Panel Control Button:

Function	Action	Notes
Input Select	Press ►► to manually select source.	
Smart Scan Disable	Press ►► for ~5 seconds until LED's cycle to disable Smart Scan.	

LED Indication:

	Meaning	Notes
LED ON	HDMI Distribution Amp is ON and Port Indicated is selected.	
NO LED	HDMI Distribution Amp is in Standby Mode.	



Application Diagram

Installation:

- 1) Connect the Monitor(s) to the HDMI OUT ports
- 2) Connect the HDMI source to the HDMI INPUT
- 3) Connect the Digital Audio Output Optical cable(optional)
- 4) Connect the DC power adapter

Description:

Display your HDMI sources to 2 HDTV. This unique 5x2 HDMI Splitter Distribution Amp enables you to select from 5 HDMI sources and “split” the HDMI video to 2 Outputs. Perfect for multiple display systems.

An Optical Digital Audio Output also allows you to route digital audio to a Surround Sound Audio System for the ultimate theater experience via an optical connection.

Our proprietary **Clear EYE™** transmission line and ISI reduction design will IMPROVE the digital video signals.

Features:

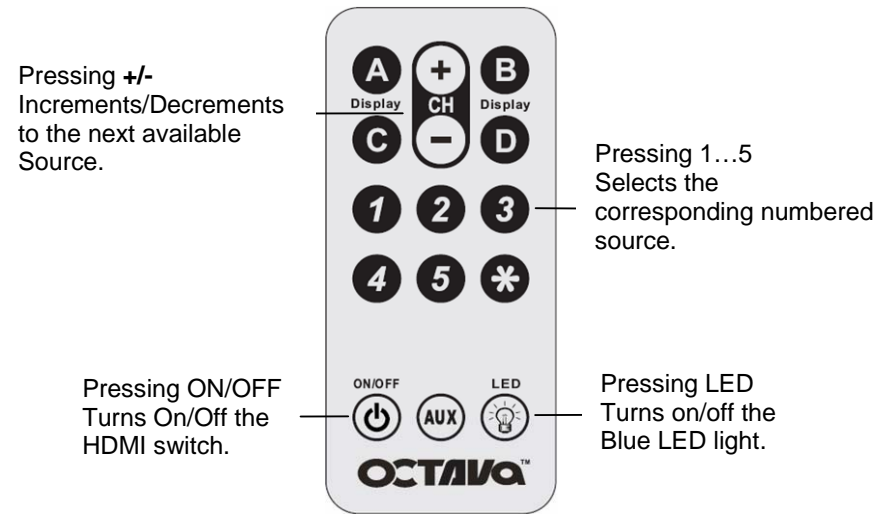
- Easy to display HD video and audio on 2 HDTV displays via HDMI
- 5 HDMI Inputs
- 2 HDMI Outputs
- Works with HDMI or DVI-D, HDCP-enabled HDTV.
- Supports high-resolution video 480p, 720i/p, 1080 i/p.
- **Smart Scan™** intelligently selects the source
- **Clear EYE™** design optimizes HDMI signal transmission
- **Toslink** Digital Output for routing audio to Audio System



Smart Scan™

Octava’s HDMI switch with Smart Scan™ saves you the hassle of fumbling with multiple remote controls. Simply power on the HDMI source you want to view and the HDMI switch will automatically switch to the correct port.

Energy Smart: If the HDTV is off or if all HDMI sources are off, the switch will go into standby mode to conserve power.

Remote Control Guide:



Button	Function	Notes
+ , -	Increments/Decrements to the next available Source	
1,2,3,4,5	Selects the corresponding numbered source.	
	Turns ON/OFF the LED light.	
	Turns ON HDMI switch. Put HDMI switch to Standby mode.	
Other	Not used	

Octava’s Remote control uses discrete code so can be easily integrated with most Universal Remote Controls such as Logitech’s Harmony.